

CamWall / CamFlex

flexible sidewall belt conveyors



CamFlex™

CamWall™

One-Piece, Fully-Molded, Conveyor Belts
No Glued Sidewalls, No Glued Cleats, No Separation



Cambelt's unique one-piece, fully-molded belting is guaranteed against sidewall and cleat delamination, and delivers belt life far superior to any competitive sidewall belt.

Cambelt has designed, engineered and fabricated conveyor systems for more than fifty years.

Cambelt also offers a full range of replacement belting for most existing sidewall conveyor systems.

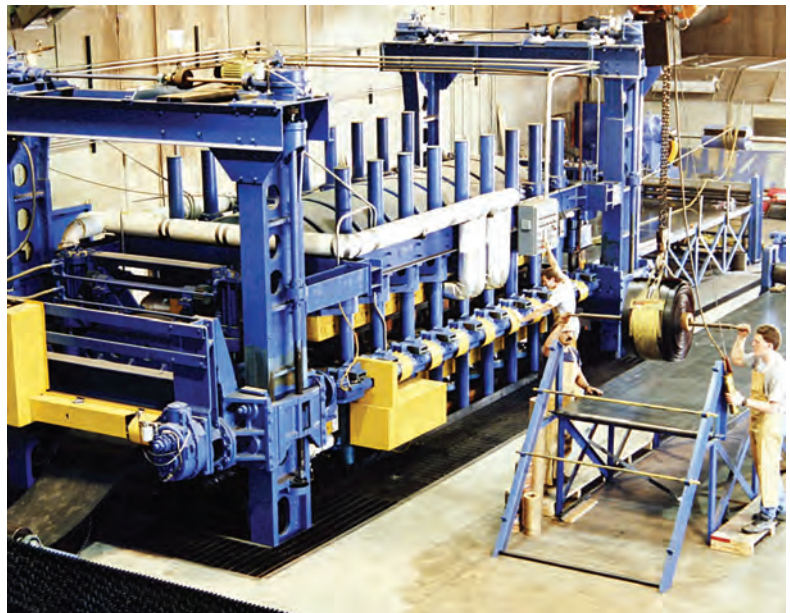
- **NO GLUED-ON CLEATS**
- **NO GLUED-ON SIDEWALLS**
- **NO COSTLY REPAIRS DUE TO SIDEWALL OR CLEAT DELAMINATION**



■ ONE-PIECE CONSTRUCTION

Flexible Sidewall Conveyor Belting, with the sidewall, the cleat and the base belt all simultaneously molded into a rugged, one piece, homogeneously cured product, available only through Cambelt International Corporation.

Cambelt's competitors' belts consist of multiple components glued together to form a desired configuration. Historically, the problem with multi-piece construction has been delamination or separation of the sidewall and/or cleat from the base belt when put under the stresses inherent in flexing around pulleys and being put under load.

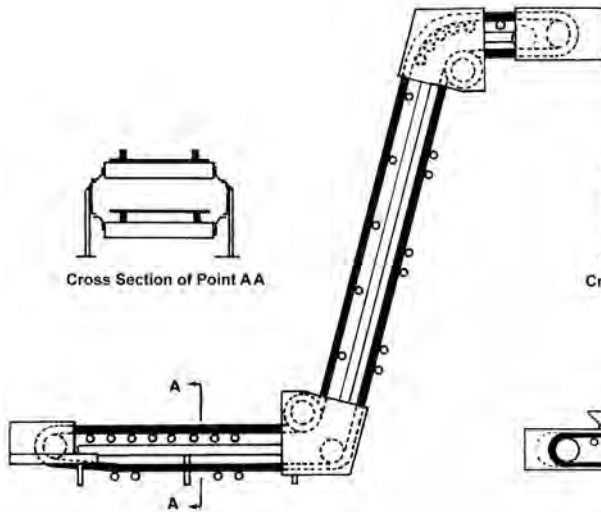


Cambelt's unique process produces a single piece molded belt to an unlimited length. We produce the best conveyor belts in the industry, used throughout the world.

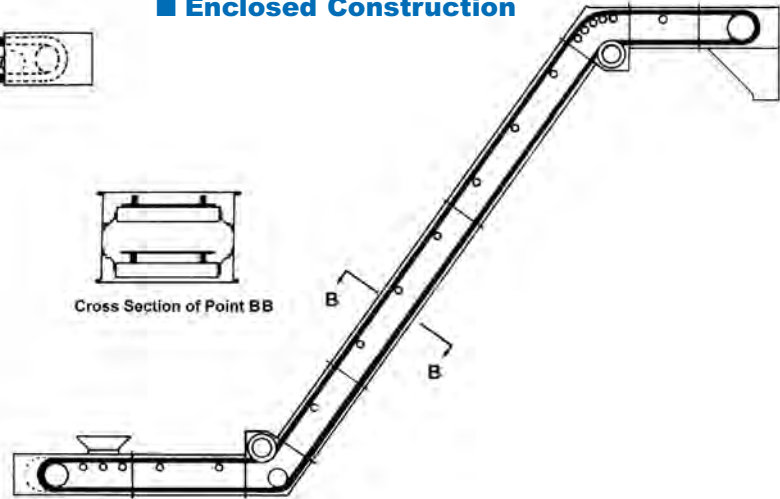
■ CamWall High Incline Flexible Sidewall Belt Conveyors

Cambelt International prides itself in building CamWall Conveyors of the finest, heavy-duty industrial construction. They may be open or totally enclosed, as required, to provide necessary environmental control, contain dust and fumes, prevent contamination, or isolate the product from external atmospheric conditions. Enclosed and open conveyors are factory preassembled modular construction.

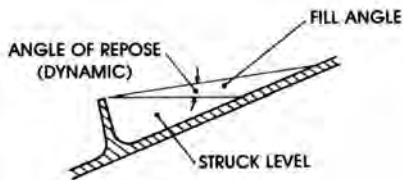
■ Open Construction



■ Enclosed Construction

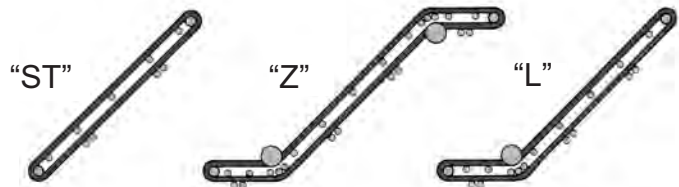


■ Theoretical Product Carrying Capacities



The theoretical carrying capacities are calculated by adding the area of the struck level and the area of the fill angle (dynamic angle of repose) multiplied by the width of the belt between the sidewalls. Cleat spacing and belt speed will impact the carrying capacity of the belt.

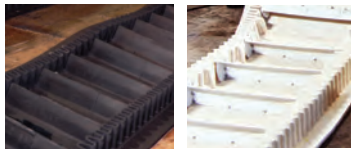
■ Typical CamWall Conveyor Configurations



CamWall conveyors are suitable for an infinite variety of applications in many industries. They can handle virtually any bulk material, and offer the advantage of being able to convey horizontally and elevate at a steep angle of incline (60 degrees and higher) on a single, continuous belt. They may be built in horizontal, incline, L, or Z configurations for lateral movement of materials or for elevation to process intakes, bins, stockpiles, etc.

■ Available Belt Compounds

- General Purpose (Black)
- Oil & Fat Resistant (Black)
- Heat Resistant (Black)
- Flame Retardant (Black)
- MSHA Approved (Black)
- Conductive (Black)
- Standard (White)
- Oil & Fat Resistant (White)



■ Available Belt Widths

Sidewall Height 3"	18"	24"	30"	36"			
Sidewall Height 4.5"	24"	30"	36"	42"	48"		
Sidewall Height 6"	24"	30"	36"	42"	48"	54"	60"

■ Cambelt Typical Nomenclature

CWR 3645-12 Example model number

CWR 3645-12 BELT CONFIGURATION

CWR 3645-12 BELT WIDTH (in Inches)

CWR 3645-12 SIDEWALL HEIGHT (in inches)

CWR 3645-12 CLEAT SPACING (if applicable)

CWR= CamWall Recessed

36" wide

4.5" sidewall height

12" cleat spacing

Belt Configurations CW=CamWall CWR= CamWall Recessed CF=CamFlex (with Nubs)

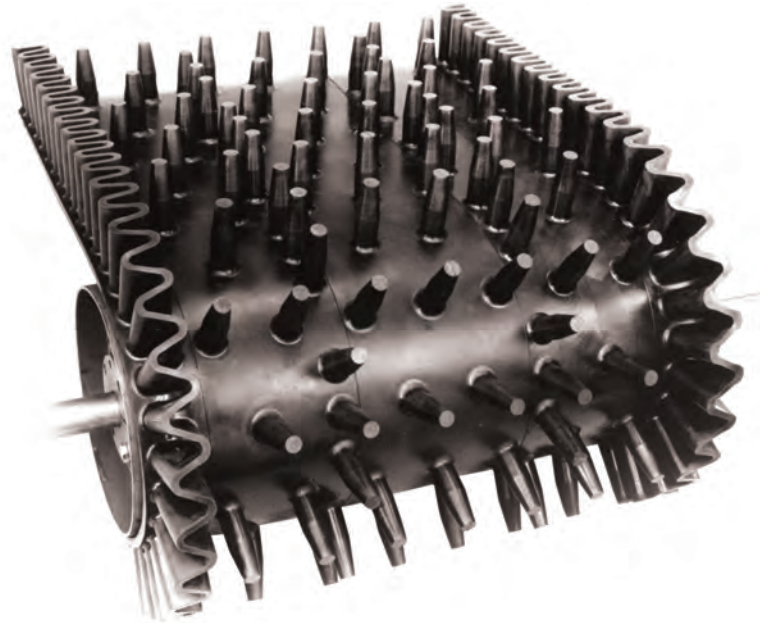
CamFlex fully molded flexible sidewall belts are unconditionally guaranteed against delamination of the sidewall from the base belt. They don't come apart – guaranteed!

■ CamFlex

Cambelt International Corp. once again demonstrates its leadership in the field of specialty belt conveyors. Backed by over 50 years of experience and a solid reputation for quality products, innovative engineering and integrity, Cambelt offers a wide range of configurations and sizes in the unique CamFlex conveying system.

Cambelt's patented and proven equipment using our own fully-molded CamFlex belting offers many advantages in both cost and operation. Take a look at what the CamFlex alternative can offer you:

- Higher capacities
- Less product degradation
- Lower costs – and that means all costs
 - Equipment costs
 - Operating costs
 - Maintenance costs



Soda Ash: Unloading 80,000 lbs. in 20 minutes (120 TPH).



Coal: Loading 24 tons in 4 minutes (360 TPH).



Cement: Unloading at 120 TPH



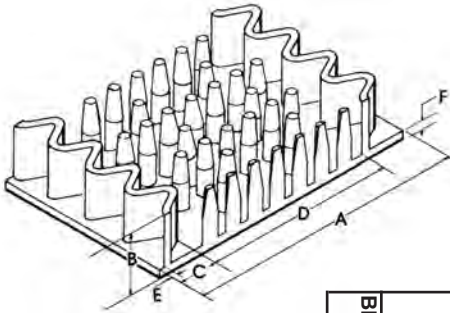
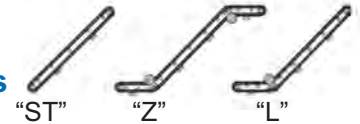
Pebble Lime: Unloading at 150 TPH

Belt Capacity Chart

■ CamFlex (CF)

3", 4.5" and 6" Sidewall Heights

Use On "ST", "Z" and "L" Configurations

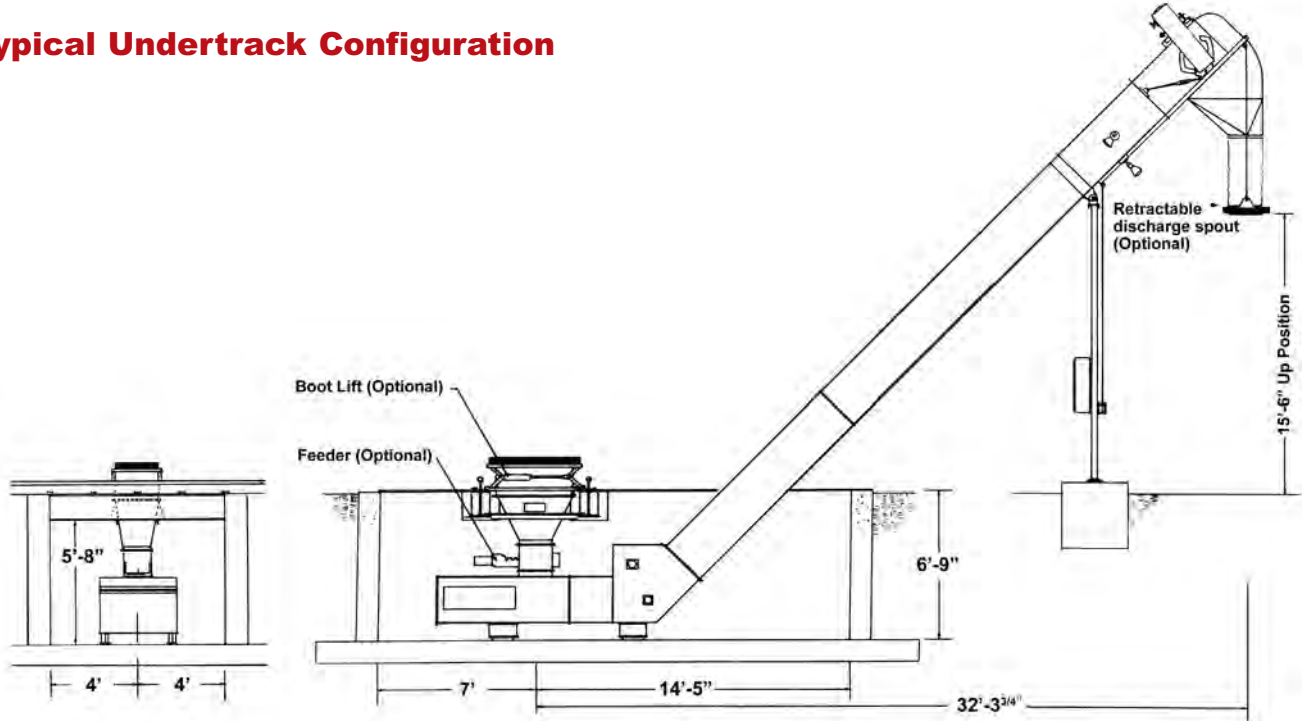


Shown are theoretic capacities based on dry, free flowing material with a steady continuous feed of material to the belt. Flowability, particle size, moisture content and method of feeding may affect actual capacity rates.

Chart capacities expressed in terms of cubic feet per hour.

MODEL	DIMENSIONS						BELT WT. (#/FT)	ANGLE OF INCLINE																	
	A	B	C	D	E	F		0				15				30				45					
								100	200	300	400	500	100	200	300	400	500	200	300	400	500	300	400	500	600
CF1830	18	3.5	1.75	14	.25	.50	7.60	1041	2082	3123	4164	5205	1041	2082	3123	4164	5205	1785	2678	3570	4463	2231	2975	3718	4462
CF2420	24	2.5	1.75	20	.25	.50	8.75	992	1983	2975	3967	4958	992	1983	2975	3967	4958	1700	2550	3400	4250	2125	2833	3542	4250
CF2430	24	3.5	1.75	20	.25	.50	9.45	1487	2974	4461	5948	7435	1487	2974	4461	5948	7435	2550	3825	5100	6375	3187	4249	5312	6374
CF3030	30	3.5	1.75	26	.25	.50	11.70	1934	3868	5802	7736	9670	1934	3868	5802	7736	9670	3315	4973	6630	8288	4144	5525	6907	8288
CF3630	36	3.5	1.75	32	.25	.50	13.80	2380	4760	7140	9520	11900	2380	4760	7140	9520	11900	4080	6120	8160	10200	5100	6800	8500	10200
CF2445	24	5	2.5	18.5	.25	.50	14.20	2185	4370	6555	8740	10925	2185	4370	6555	8740	10925	3746	5619	7492	9365	4683	6244	7805	9366
CF3045	30	5	2.5	24.5	.25	.50	16.80	2894	5788	8682	11576	14470	2894	5788	8682	11576	14470	4961	7442	9922	12403	6202	8269	10337	12404
CF3645	36	5	2.5	30.5	.25	.50	18.90	3603	7206	10809	14412	18015	3603	7206	10809	14412	18015	6176	9264	12352	15440	7720	10293	12867	15440
CF4245	42	5	2.5	36.5	.25	.50	21.90	4312	8624	12936	17248	21560	4312	8624	12936	17248	21560	7391	11087	14782	18478	9239	12319	15398	18478
CF4845	48	5	2.5	42.5	.25	.50	24.50	5020	10040	15060	20080	25100	5020	10040	15060	20080	25100	8606	12909	17212	21515	10758	14344	17930	21516
CF2460	24	6.5	2.5	18.25	.375	.50	19.30	2874	5748	8622	11496	14370	2874	5748	8622	11496	14370	4928	7392	9856	12320	6159	8212	10265	12318
CF3060	30	6.5	2.5	24.25	.375	.50	22.80	3819	7638	11457	15276	19095	3819	7638	11457	15276	19095	6548	9822	13096	16370	8184	10912	13640	16368
CF3660	36	6.5	2.5	30.25	.375	.50	26.30	4764	9528	14292	19056	23820	4764	9528	14292	19056	23820	8168	12252	16336	20420	10209	13612	17015	20418
CF4260	42	6.5	2.5	36.25	.375	.50	29.85	5709	11418	17127	22836	28545	5709	11428	17127	22836	28545	9788	14682	19576	24470	12234	16312	20390	24468
CF4860	48	6.5	2.5	42.25	.375	.50	33.50	6654	13308	19962	26616	33270	6654	13308	19962	26616	33270	11408	17112	22816	28520	14259	19012	23765	28518
CF5460	54	6.5	2.5	48.25	.375	.50	37.30	7599	15198	22797	30396	37995	7599	15198	22797	30396	37995	13028	19542	26056	32570	16284	21712	27140	32568

■ Typical Undertrack Configuration



■ Optional Equipment Available

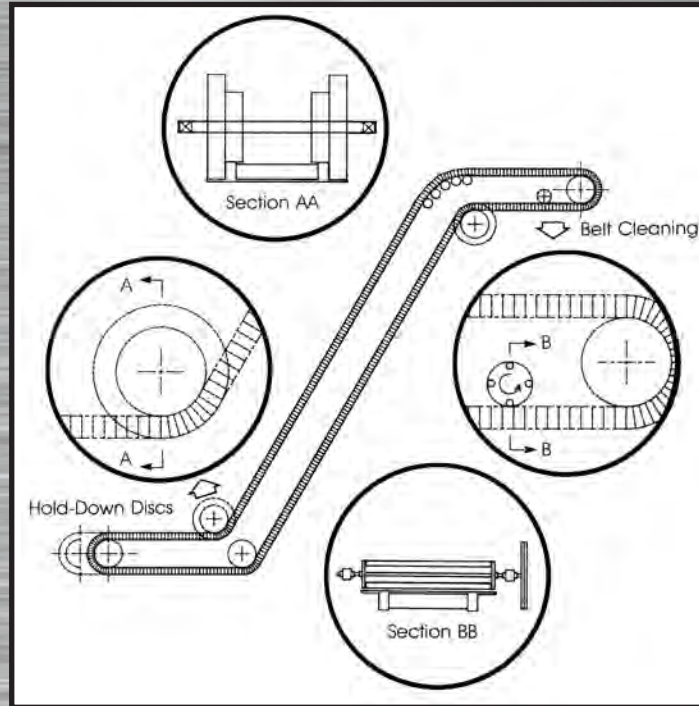
- Boot lift for dust-tight fit-up to railcar hopper
- Retractable discharge spout.

Cambelt International

■ Hold-Down Disc Assembly

CamWall Conveyors utilizing "L" and "Z" configurations require the use of hold-down disc assemblies in the transition of the belt from horizontal-to-incline-to-horizontal planes.

Prolonged belt life is greatly aided by the use of properly designed hold-down disc assemblies. Cambelt provides unmatched engineering expertise in high incline belt conveyors.



■ Belt Cleaning Systems

CamFlex belts and cleated CamWall belts do not allow for conventional methods of belt cleaning such as belt scrapers. The most effective methods of cleaning these belts are rotary belt thumpers or air knives.

These methods will often dislodge materials that otherwise would be carried back with the return belt.

Consult the factory for more information regarding methods of belt cleaning.

■ Unconditional Guarantee on Cambelt Conveyor Belts

Cambelt's fully molded flexible sidewall belt is guaranteed against delamination of the sidewall or cleat from the base belt...or you may return it to our plant for credit.



2820 West 1100 South • Salt Lake City, Utah 84104
801.972.5511

fax 801.972.5522 | info@cambelt.com

www.cambelt.com